



Fapa s.a.s.

Via Pascoletto, 20

24040 Lallio (BG)

Tel. 035.6221219

Fax. 035.4372675

fapa@fapa.bg.it

www.fapa.bg.it

LABORATORY EQUIPMENTS
THERMOBLOCKS



NEW LINE THERMOBLOCK

New Thermoblock is designed for widely use in Chemical, Biochemical, Clinical and other General Labs for storage, heating, digesting, incubating, concentrating and other heating and cooling processes, and due to the incorporating three stages temperature programming, it is much useful in enzymatic and other chemical catalytic reaction.

TD: 25°C - 200°C

TDC: 0°C - 100°C



Hot block indicator



Temperature stability indicator



DISPLAY:

- 0.1°C Temperature resolution
- Digital timer




Multifunction button



Calibration access





Model		TD 200 P1	TD 200 P2	TD 200 P2+	TD 200 P3
					
Max Block Number	n°	1	2	2 separated	3
Adjustable Temperature	°C	25 ÷ 200	25 ÷ 200	25 ÷ 200	25 ÷ 200
Working temperature	°C	+5 amb ÷ 200	+5 amb ÷ 200	+5 amb ÷ 200	+5 amb ÷ 200
Precision on the plate	°C	±0,5	±0,5	±0,5	±0,5
Timer	h:mm	9:59 + ∞	9:59 + ∞	9:59 + ∞	9:59 + ∞
Heating resistance power	W	150	300	150+150	500
External dimension	mm	285x200x110	305x230x110	305x290x110	305x290x110
Weight	Kg	2,9	3,4	3,6	4,1
Item		621.0422.11	621.0422.12	621.0422.15	621.0422.13



Model		TDC 100 P1	TDC 100 P2
			
Max Block Number	n°	1	2
Adjustable Temperature	°C	0 ÷ 100	0 ÷ 100
Working temperature	°C	5 ÷ 200	5 ÷ 200
Precision on the plate	°C	±0,5	±0,5
Timer	h:mm	9:59 + ∞	9:59 + ∞
Program	step	3 temp + 3 time	3 temp + 3 time
Heating resistance power	W	120	240
External dimension	mm	325x270x191	325x320x191
Weight	Kg	4,4	5,5
Item		621.0422.21	621.0422.22

Power V/Hz
230/50-60

Security class
0

Protection class
IP 30

*Note: The instruments
are supplied
without blocks*

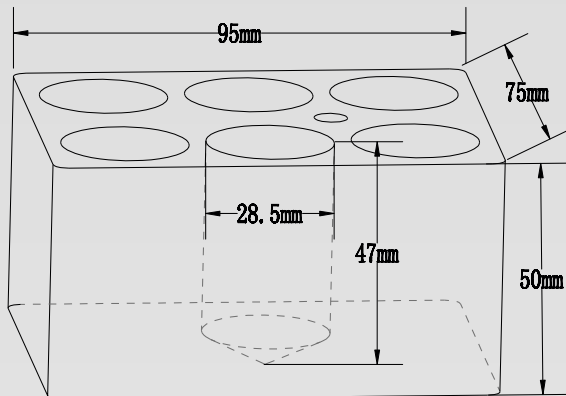


621.0423.50

Bucket with ceramic bead, 1 block vers.,
inside dim 55x75x36. For model TD

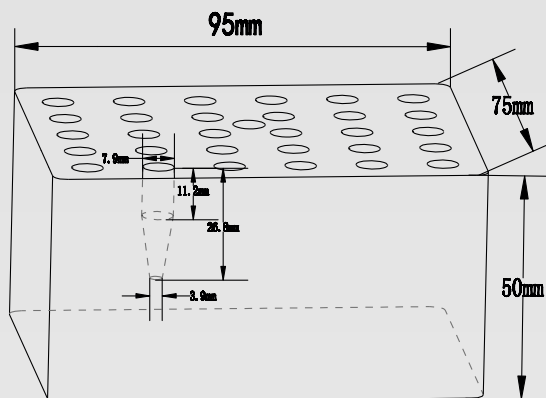
621.0423.51

Bucket with ceramic bead, 2 blocks vers.,
inside dim 130x75x36. For model TD



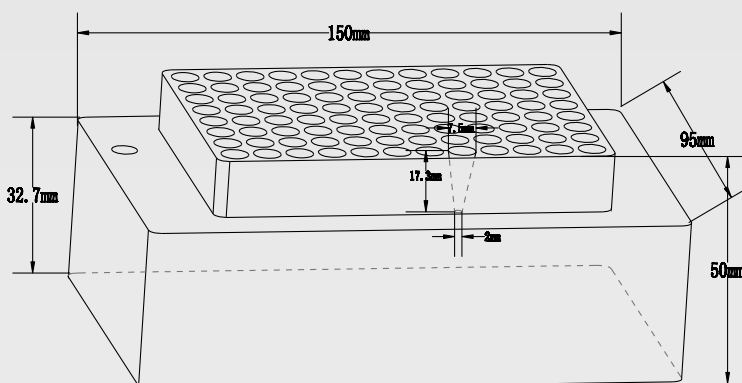
621.0423.62

6x28mm block. For model TD



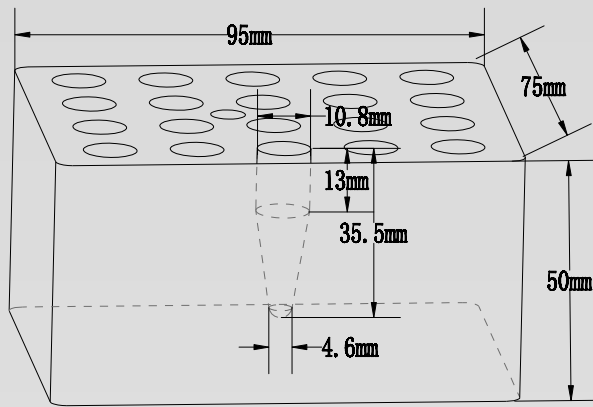
621.0423.72

30x0,5ml block. For model TD

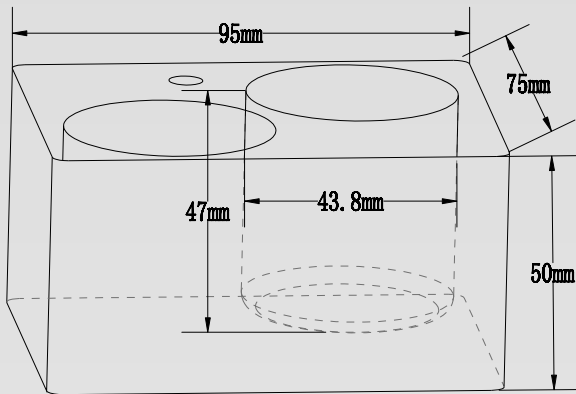


621.0423.74

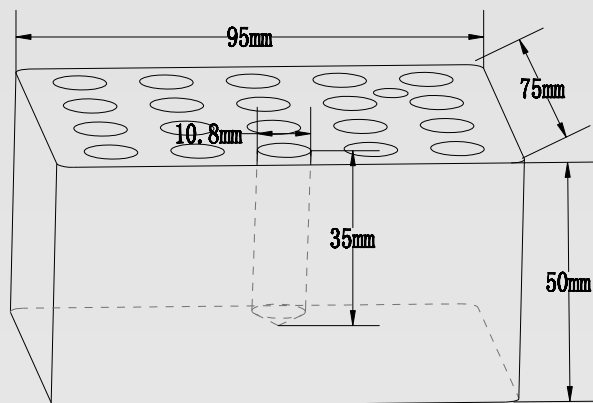
96x0,2ml - for skirted PCR plates or 0,2ml
vials, 2 blocks vers. For model TD



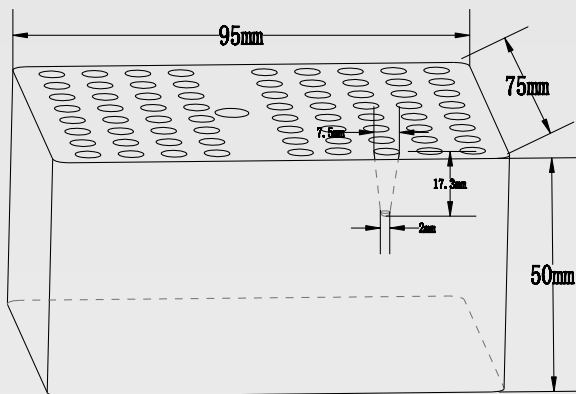
621.0423.73
20x1,5ml block. For model TD



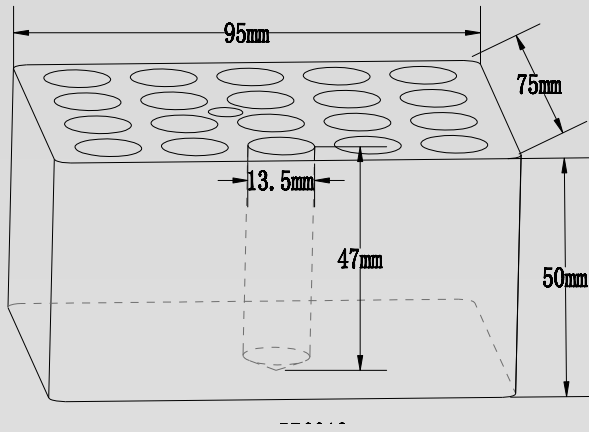
621.0423.64
2x50ml (flat bottom) block. For model TD



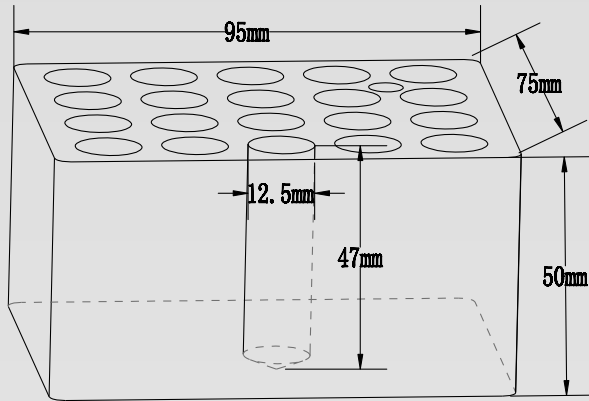
621.0423.56
20x10mm block. For model TD



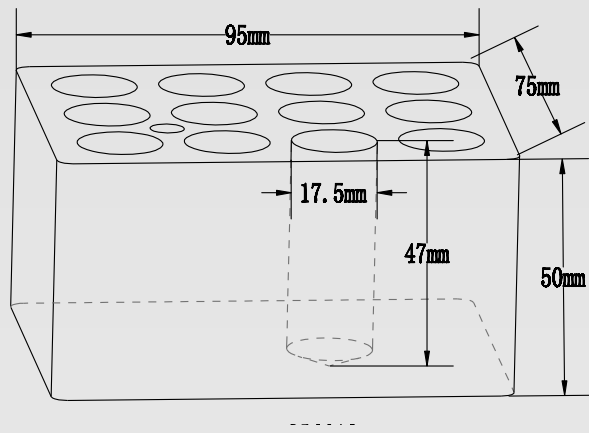
621.0423.70
72x0,2ml - for 0,2ml vials. For model TD



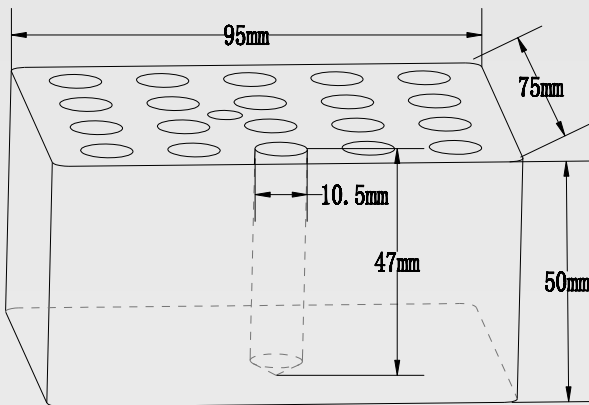
621.0423.59
20x13mm block. For model TD



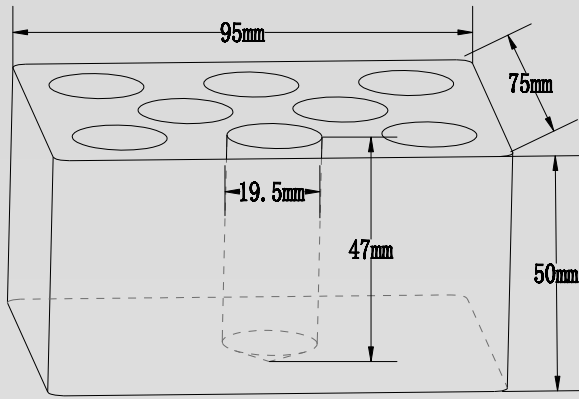
621.0423.58
20x12mm block. For model TD



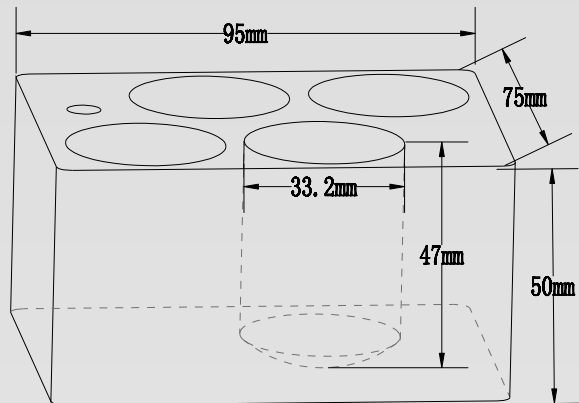
621.0423.60
12x16mm block. For model TD



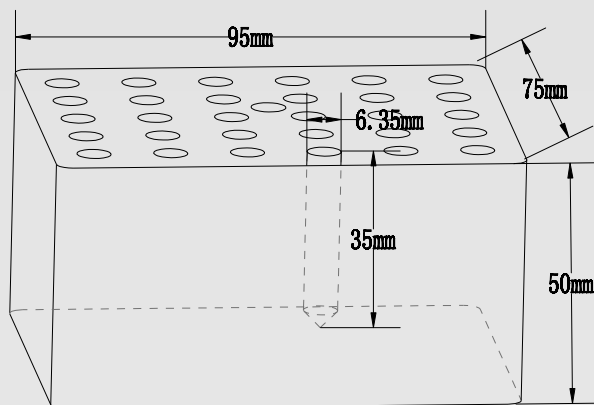
621.0423.57
2x2 ml block. For model TD



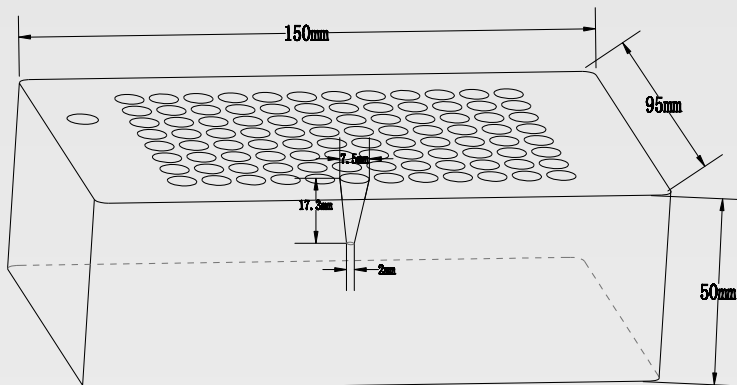
621.0423.61
8x19mm block. For model TD



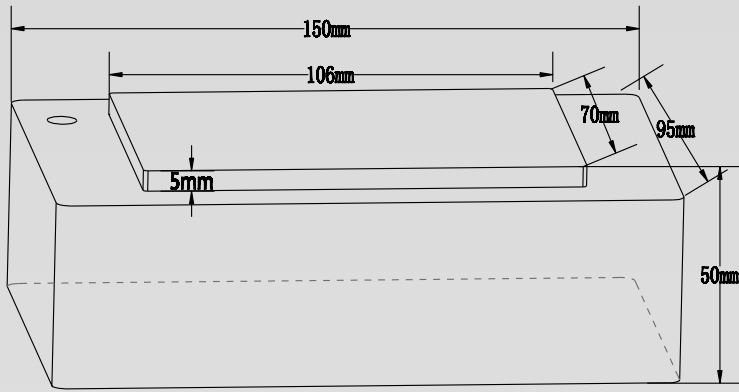
621.0423.63
4x33mm block. For model TD



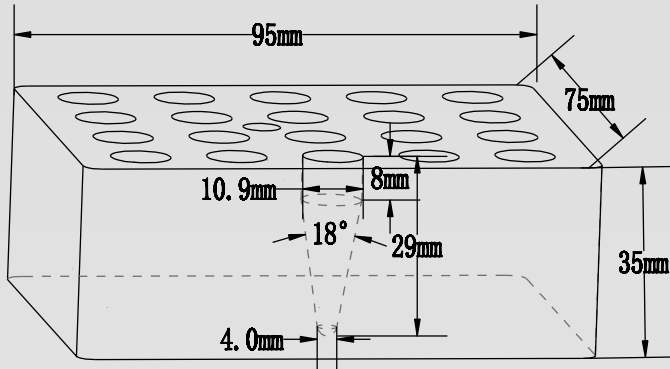
621.0423.55
30x6,35mm/35mm depth. 0,5ml glass.
For model TD



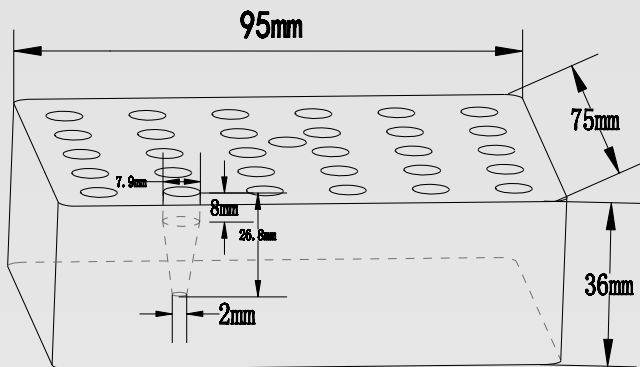
621.0423.71
96x0,2ml - for non-skirted / vials.
For model TD



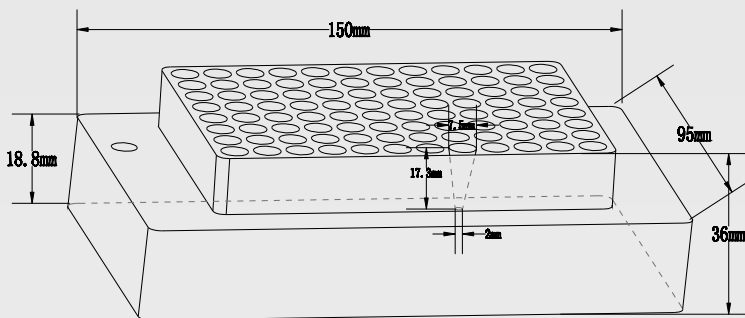
621.0423.81
flat block x Elisa plates. For model TD



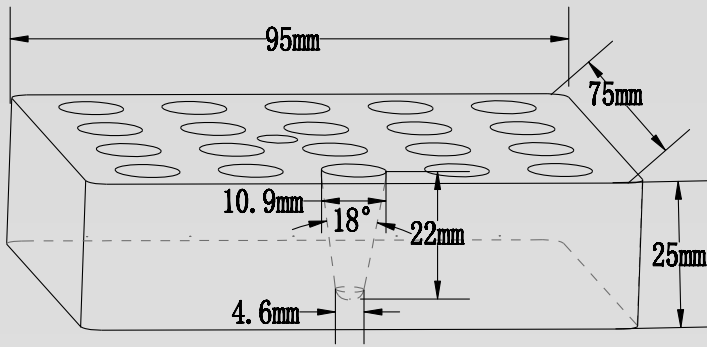
621.0423.92
20x1,5ml block. For model TDC



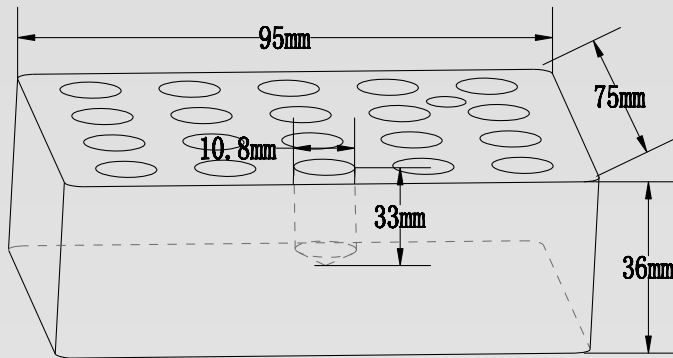
621.0423.93
30x0,5ml block. For model TDC



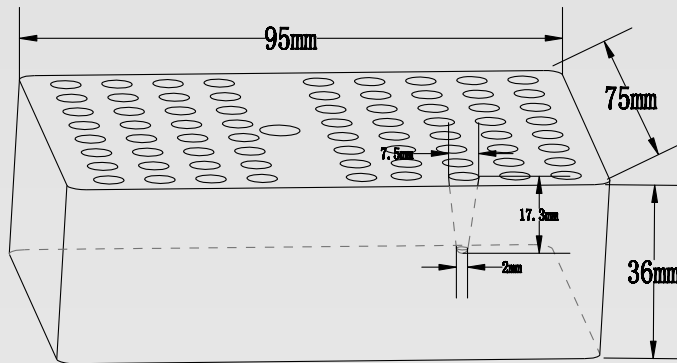
621.0423.95
96x0,2ml - for skirted PCR plates or 0,2ml vials, 2 blocks vers. For model TDC



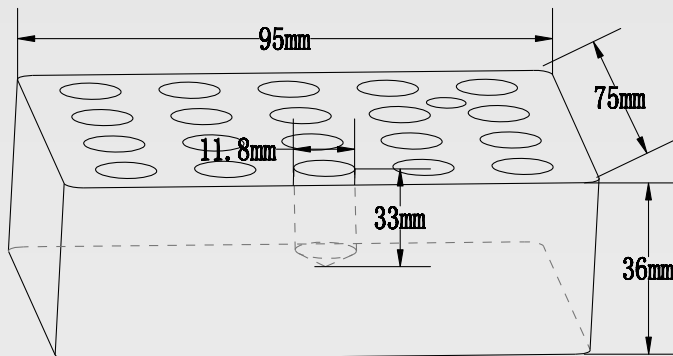
621.0423.91
20x1,5ml block. For model TDC



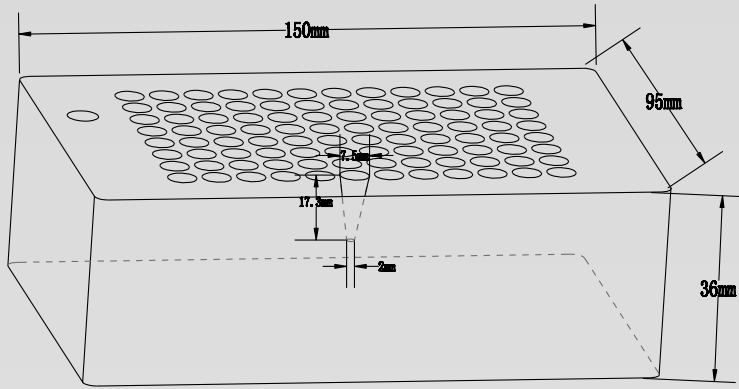
621.0423.85
20x10mm block. For model TDC



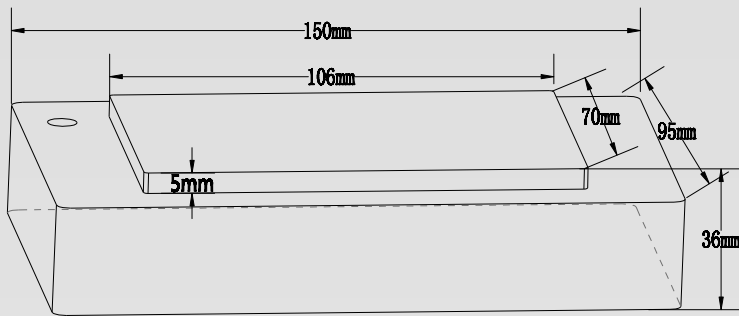
621.0423.90
72x0,2ml - for 0,2ml vials. For model TDC



621.0423.86
20x11,8mm - 33mm depth. For model TDC



621.0423.94
 96 X 0,2ml - for non-skirted / vials,
 2 blocks vers. For model TDC



621.0423.98
 flat block x Elisa plates or In situ,
 2 blocks vers. For model TDC



Fapa s.a.s.
Via Pascoletto, 20
24040 Lallio (BG)
Tel. 035.6221219
Fax. 035.4372675
fapa@fapa.bg.it
www.fapa.bg.it

